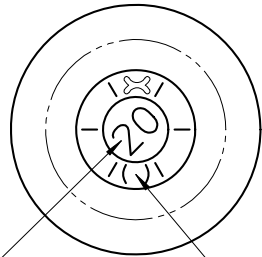
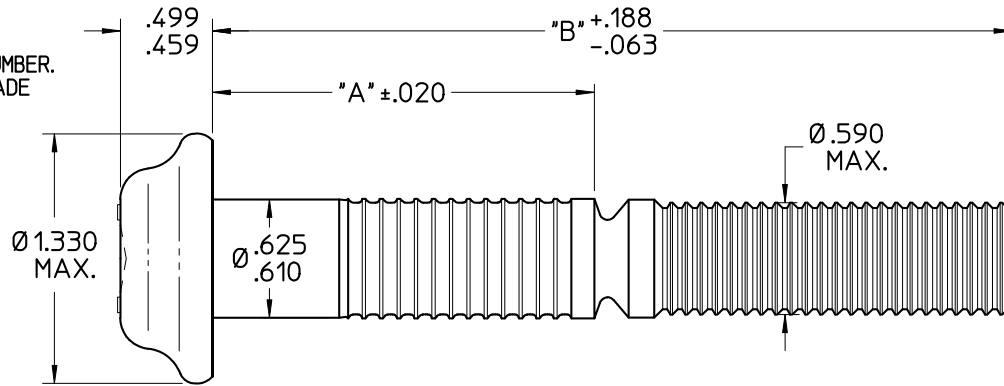


**IDENTIFICATION**  
 HUCK MARK, SIX BARS AND GRIP NUMBER.  
 VENDOR'S MARK REQUIRED WHEN MADE  
 BY OTHER THAN AFS-HUCK.

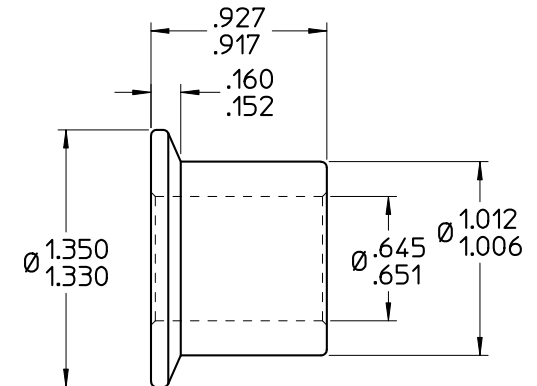


GRIP NO.  
 (20 IS EXAMPLE)

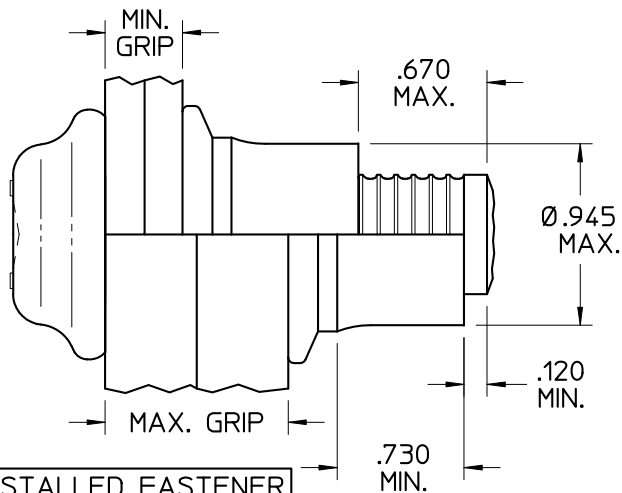
VENDOR MARK  
 LOCATION



PIN: HP8F-DT20-( )



COLLAR: HPCF-R20



INSTALLED FASTENER

INSTALLED FASTENER  
 VALUES (LBS. MIN.)

CLAMP	26,080
TENSILE	33,900
SHEAR	27,450

PART NUMBER	A	B	GRIP RANGE
HP8F-DT20-8	1.820	4.038	.25 TO .75
-12	2.070	4.288	.50 TO 1.00
-16	2.320	4.538	.75 TO 1.25
-20	2.570	4.788	1.00 TO 1.50
-24	2.820	5.038	1.25 TO 1.75
-28	3.070	5.288	1.50 TO 2.00
-36	3.570	5.788	2.00 TO 2.50
-44	4.070	6.288	2.50 TO 3.00
-52	4.570	6.788	3.00 TO 3.50
-60	5.070	7.288	3.50 TO 4.00
-88	6.820	9.038	5.25 TO 5.75

07	REVISED PER PCN W3881.	RLK	LM	JTS	07-10-12
06	REVISED PER PCN W3358.	RLK	LM	JLW	5-17-07
REV	DESCRIPTION & PCN	DRAWN	CHECKED	APPROVED	DATE

COORDINATION DRAWING FOR:  
 HP8F-DT20-( ) PIN  
 AND HPCF-R20 COLLAR



\*This drawing, the structural design disclosed therein, and the technical data and engineering service represented thereby are the exclusive property of Alcoa Fastening Systems. It is to be returned to AFS upon written request and is not to be reproduced in whole or in part or disclosed to any one else without the express written consent of AFS.\*

UNLESS OTHERWISE SPECIFIED,  
 TOLERANCES ARE:  
 .XXX .XX  
 ±.010 ±.02

MATERIAL:  
 PIN: MED. CARBON ALLOY STEEL  
 COLLAR: LOW CARBON STEEL

SCALE:  
 1X

Commercial Products  
 8001 Imperial Drive (P.O. Box 8117)  
 Waco, TX 76714-8117  
 800-388-4825 / 254-776-2000